

# UNIVERSAL MATRIX KVM SWITCH

Up to eight users can control 32 PC and SUN computers



**4 Users  
and 16 Computers  
in 1 RU**

**NODEMUX® ST-4X16-UHD High Density Matrix KVM Switch (Front and Back)**

## Features & Applications

The NODEMUX® Universal Multi-Platform Matrix KVM Switch enables up to eight users to individually command or simultaneously share up to 32 computers.

This low-cost switch accesses PC and SUN computers (and USB computers with NTI adapters). PC or SUN keyboards and mice can be connected by using adapter cables.

- Equipped with On Screen Display (OSD), Liquid Crystal Display (LCD) and RS232 control.
- Rackmount is standard on all NODEMUX ST-nXm-U models. The smaller models are also available in a desktop case (denoted by “DT” in part number).
- Users can power-down the switch without rebooting attached computers.
- Dedicated microprocessors prevent computers from locking up, ensuring reliable control.
- The advanced OSD user interface with password security makes the NODEMUX matrix switch simple and reliable to use in Enterprise data centers.
- Use as a single- or multi-platform switch.
- Users can work individually or share one computer.
- The high density switches save you rack space (look for “HD” at the end of the part number). Cabling runs are simplified with NTI's high density KVM switch cables.
  - Includes cable management shelf.

## Specifications

### Hosts

- Supports PS/2 platform computers, including laptops, HP 9000, Silicon Graphics and IBM RS6000.
- Supports SUN, including ULTRAs, SUN Blade 100, SUN Blade 1000, SUN Fire™ 240 and SUN Ray (using NTI's USB-SUN adapter).
- Any USB enabled PS2 or SUN computer can be converted by using a USB-PS2 or USB-SUN adapter.

### Connectors

- ST-nXm-U: female 15-pin HD and female 8-pin miniDIN connectors.
- ST-nXm-UxHD: female 26-pin SCSI II connectors.

### Monitor

- Crisp and clear 1900x1200 video resolution.

- A multiscan VGA monitor is required to display the different video outputs from different platforms.
- Bandwidth is 150 MHz.

### Keyboard

- User devices can be PS/2, SUN or MAC.
- SUN startup keys are supported on all platforms of input devices.
- Keystrokes are translated across platforms.
- Keyboard is hot-pluggable.
- Internet and multimedia Windows key supported.

### Supported SUN Keyboards

- SUN US/English keyboards are supported across all platforms. Non-US SUN keyboards are supported to SUN only computers.
- NTI recommends using SUN keyboards for multi-platform use because they have additional keys.



# UNIVERSAL MATRIX KVM SWITCH

Up to eight users can control 32 PC and SUN computers

## Specifications (Continued)

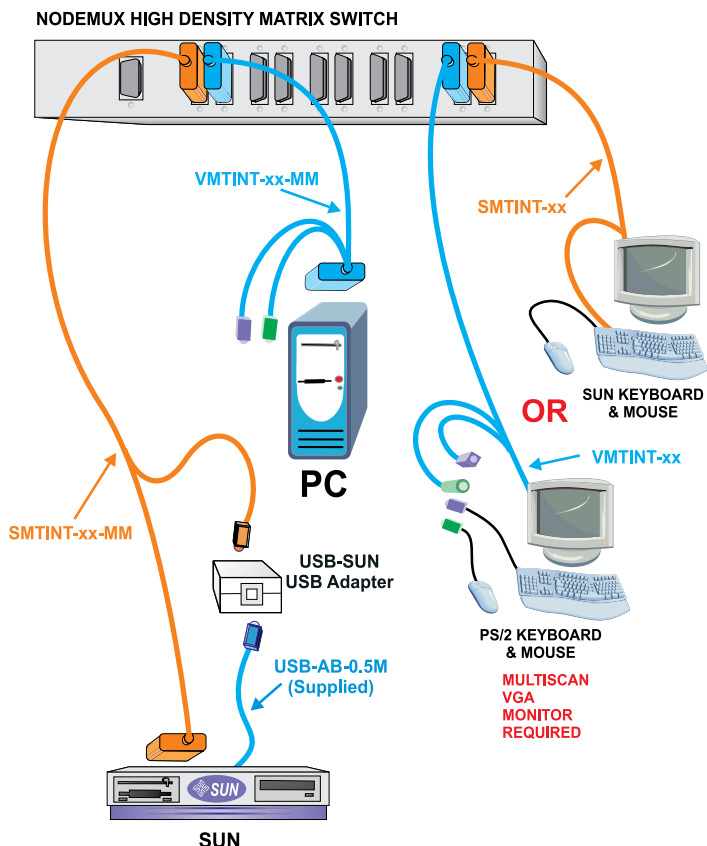
### Mouse

- Smooth mouse movement.
- Compatible with all standard 2-button PS/2 mice as well as the following:
  - Microsoft IntelliMouse®.
  - Logitech (and other) 3-button mice.
  - Alps glidepoint touchpad (extended functions—i.e. tapping, etc.—are not supported).
  - Cirque Glidepoint touchpad.
  - IBM Scroll Point mouse (extended stick functions are not supported).
  - Kensington Orbit trackball.
  - Logitech 2-button wheel mouse.
  - Microsoft Ballpoint mouse.
- SUN 3-button mice are supported.
  - Wheel button on IntelliMouse emulates SUN's third mouse button.

### Power

- 110 or 220 VAC at 50 or 60 Hz via IEC connector.
- The 2x2, 2x4, 2x8 and 4x8 units use AC adapters as their power source.

### Configuration and Cable Illustration



### Regulatory Approvals

- CE, RoHS
  - CE not available on ST-2X2-UDT, ST-2X4-UDT, ST-2X8-UDT or ST-4X8-UDT

### Warranty

- Two years.



High Density KVM Matrix Switch  
with Cable Management Shelf  
(Standard feature for -UHD switches)

## Built-In Control Methods

### Front Panel Interface

- Locally change ports with front panel keypad.
- Use front panel keypad to move through LCD screens.
- LCD indicates currently selected port.
- Set baud rate for RS232 control.
- Set unit address for RS232 multi-switch control.
- Set up user-to-computer connections.
- Save and recall up to 10 different user-to-computer configurations.

### RS232 Control

- Baud rate 1200 through 9600.
- Address up to 15 units, all of which can be RS232 daisy-chained and controlled by one serial port.

### On Screen Display (OSD)

- Locate and select computers by name.
- OS and software-independent.
- OSD is built into the switch—no need to install additional hardware or software.

### Security

- Advanced security included with switch.
- Administrator can enable or disable all security features and select which computers each user can access.
- Once security is enabled, a user or administrator must login in order to access any of the computers connected to the switch.
- Each user name and password can be up to 15 characters long, and each switch can store up to 63 users.



330.562.1999  
Worldwide fax



sales@ntigo.com



www.networktechinc.com

©2007, NTI  
All rights reserved

# UNIVERSAL MATRIX KVM SWITCH

Up to eight users can control 32 PC and SUN computers

## Ordering Specifications

This example simplifies the NTI part number by breaking it down into the available options. When ordering, choose the options that you require.

Number of Users      Number of Computers      Universal KVM Switch      High Density      Optional Desktop Style\*  
**ST - n X m - U HD DT**

Universal Matrix KVM Switch Models					
NTI Part #	# of Users (n)	# of CPUs (m)	Desktop Size WxDxH (in)	Rack Units	Rack Size WxDxH (in)
ST-2X2-U	2	2	NA	1RU	19x10x1.75
ST-2X2-UDT	2	2	10x7.5x3.3	NA	NA
ST-2X4-U	2	4	NA	1RU	19x10x1.75
ST-2X4-UDT	2	4	10x7.5x3.3	NA	NA
ST-2X8-UDT	2	8	10x7.5x3.3	NA	NA
ST-2X32-U	2	32	NA	3RU	19x12x5.25
ST-4X8-UDT	4	8	10x7.5x3.3	NA	NA
ST-4X32-U	4	32	NA	3RU	19x12x5.25
ST-8X8-U	8	8	NA	3RU	19x12x5.25
ST-8X16-U	8	16	NA	3RU	19x12x5.25
ST-8X24-U	8	24	NA	3RU	19x12x5.25
ST-8X32-U	8	32	NA	3RU	19x12x5.25

High Density Universal Matrix KVM Switch Models					
NTI Part #	# of Users (n)	# of CPUs (m)	Desktop Size WxDxH (in)	Rack Units	Rack Size WxDxH (in)
ST-2X8-UHD	2	8	NA	1RU	19x12.5x1.75
ST-2X16-UHD	2	16	NA	1RU	19x12.5x1.75
ST-4X8-UHD	4	8	NA	1RU	19x12.5x1.75
ST-4X16-UHD	4	16	NA	1RU	19x12.5x1.75

\* Only available on select ST-nXm-U switches.

## Cables

- NTI universal cables between user devices and the NODEMUX ST-nXm-U are required for proper operation.
- Cables not included.

Compatible Cables for Universal Matrix KVM Switches		
Cable/Length (Ft.)	Description	Type
VKTINT-3/6/10/15/25/35/50-MM	Connects PS/2 Computers to an NTI Universal Switch	PS/2
SKTINT-3/6/10/15/25/35/50-MM	Connects SUN Computers to an NTI Universal Switch	SUN
VEXT-3/6/10/15/25/35/50/75/100-MM	Connects VGA & SVGA video port to an NTI Universal KVM switch Male-Male 15-pin HD, multicoax. Resolution through 1900 x 1200	PS/2 SUN MAC
VKTINT-1	Connects PS/2 Keyboard & Mouse to an NTI Universal Switch (Female 6-pin miniDINs - Male 8-pin miniDIN)	PS/2
13W3M-15HDF	Adapts a 13W3 Sun video port to VGA video port on an NTI Universal KVM switch	SUN
15DM-15HDF	Adapts a MAC video port to VGA video port on an NTI Universal KVM switch	MAC

Compatible Cables for High Density Universal Matrix KVM Switches		
Cable/Length (Ft.)	Description	Type
VMTINT-3/6/10/15/25-MM	Connects an NTI High Density Switch to a PS/2 CPU	PS/2
SMTINT-3/6/10/15/25-MM	Connects an NTI High Density Switch to a SUN CPU	SUN
SMTINT-3/6/10/15/25	Connects VGA monitor, SUN keyboard to an NTI High Density Switch	SUN
VMTINT-3/6/10/15/25	Connects VGA monitor, PS/2 keyboard and mouse to an NTI High Density Switch	PS/2

